

**Sensor hand dryer: M092A****Sensor water and tap dispenser: GAJ002A****Full set code: UCM092A****General description**

- Mediclinics® All-in-one is a countertop mounted hand dryer tap and a water and soap dispenser faucet, all ready to work together as one beautiful, touch-free, hygienic and highly efficient system.
- Mediclinics® All-in-one has been thought and designed to avoid water splashing on the floor, to save space and to spend less time inside the washroom.
- Engineered with aesthetics and performance in mind, Mediclinics® All-in-one solutions are pure elegance and efficiency. Its smart design, with clean lines and elegant curves and its great functionality, breaks all current design and functional conventions.
- Mediclinics® All-in-one solutions are eco-friendly, saving more than 73% in terms of economical savings vs. similar solutions on the market.
- Mediclinics All-in-one solutions are also very hygienic because they can incorporate optionally an HEPA media filter, the "Ion Hygienic" technology and an air-freshener tablet.

Components and materials

- **SENSOR OPERATED HAND DRYER (M092A):** based on one of our most successful hand dryers, the Machflow Plus M09A, this countertop mounted hand dryer is capable of drying hands in just 10 seconds thanks to a pleasant jet of air that can reach speeds of 400 Km/h. The tap is made of chrome-plated brass, with a bright finish.
- **SENSOR OPERATED WATER TAP AND SOAP DISPENSER (GAJ002AC):** made of chrome-plated brass, with a bright finish, this faucet dispenses water and soap from the same tap. The sensor placed just on the upper right side of the tap is in charge of dispensing soap whereas the sensor placed just above the water outlet is in charge of opening the valve, making the water come out.

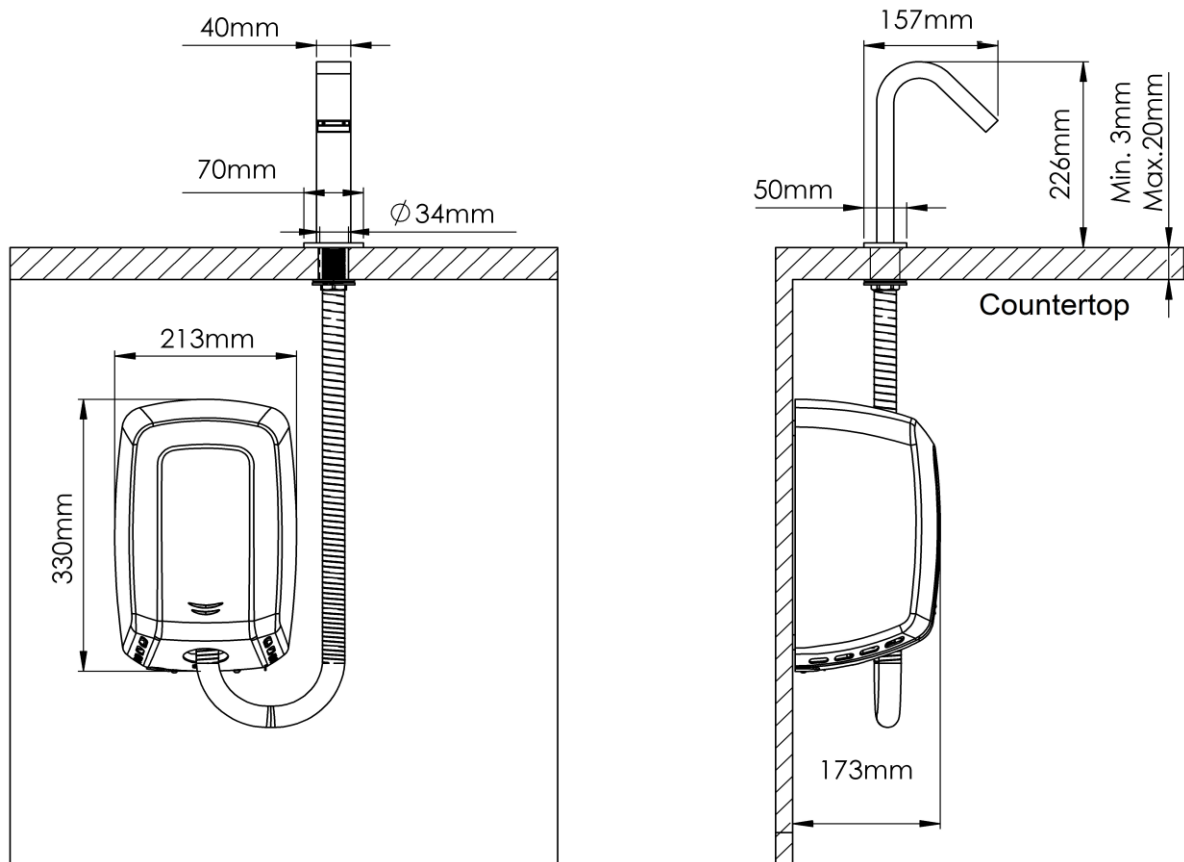
Sensor hand dryer (M092A)

- Conceived to work alongside the sensor operated water and soap dispenser tap GAJ002AC, as well as on its own, this countertop mounted hand dryer makes hand drying easier and faster to the user.
- Machflow Plus M09A is the heart of Mediclinics® All-in-one solutions, providing a warm and powerful jet of air and offering a nice user experience with fast and efficient drying times up to 10 seconds.
- Furthermore, its touch-free deck mounted system makes all wastewater go into the sink and not onto the floor, keeping a more hygienic and clean washroom and at the same time avoiding slips, a common cause of accidents.

Technical specifications

Voltage	220- 240 V	Cover thickness	1.5 mm
Frequency	50/60 Hz	Drying time	10-15"
Electrical Isolation	Class I	Effective airflow	50-105 m ³ /h (835 -1,755 L/min)
Total power	420 – 1,500 W	Air velocity	190 – 400 Km/h
Consumption	3.2 –6.4 A	Air temperature (10 cm distance/22°C)	42 °C
Standby consumption	0.3 W	Sound pressure ⁽¹⁾ (at 2m)	67-72 dBA
Motor power	420 – 1,100 W	Protection rating	IP23
Rpm	19,000 – 30,000	HEPA filter media	Optional
Heating element power	400 W ("ON/OFF" switch)	Plug-in system	Optional
Security cut-off	60"	Ionizer ("Ion Hygienic")	Optional
Dimensions	330x213x170 mm	Air-freshener tablet	Optional

Dimensions



Dimensions: ± 4%

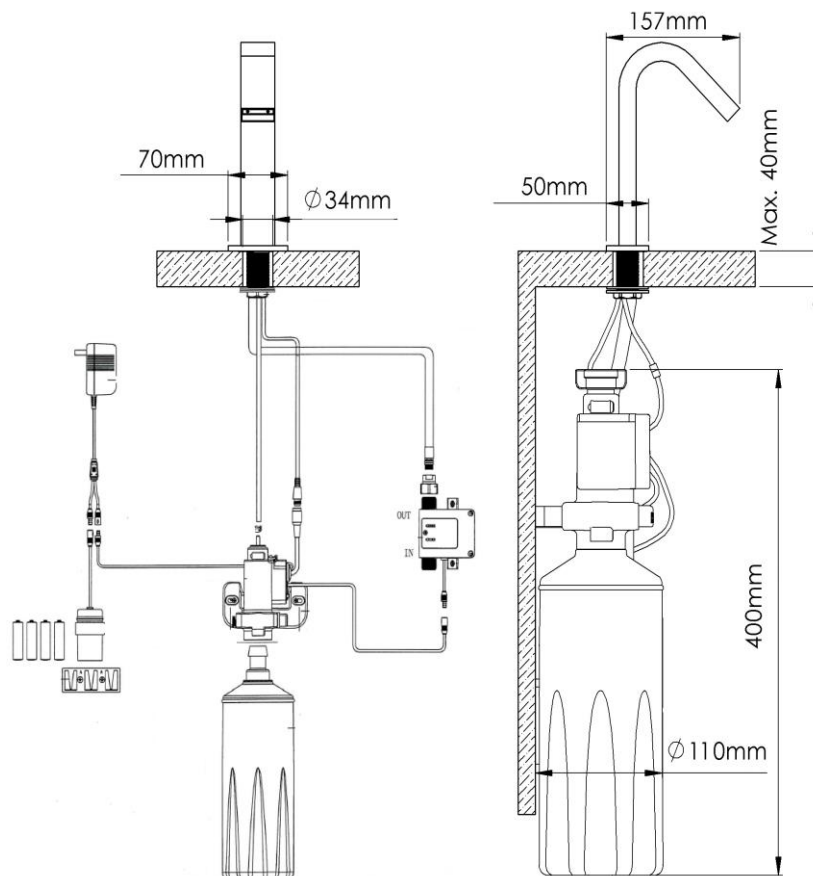
Sensor water and soap dispenser tap (GAJ002AC)

- This touch-free tap dispenses both, soap and water, is entirely manufactured in chrome-brass with a bright finish, from the highest quality materials.
- It can work together with the sensor operated hand dryer M092A or on its own.
- The touch-free automatic system of this faucet helps to optimize flow rate water and thereby supporting long-term ecological balance.
- The soap is contained in a plastic bottle of 1.5L capacity, easy to be removed for refilling, and it is dosed by a high resistance anti-drip valve.
- The soap dose can be adjustable between 0.5 mm and 2 ml, in doses of 0.5, 1.0, 1.5 or 2.0 ml.
- Tap can be worked with a power adaptor 220-240 V (AC) or with 4 AA 1.5V batteries (DC).

Technical specifications

Soap dispenser		Faucet	
Power supply (adaptor)		220-240V – 50/60Hz	
Battery life		35,000 – 40,000 hand wash cycles (water + soap)	
Sensor range	5-25 cm	Sensor range	5-25 cm
Security cut-off	---	Security cut-off	60"
Recommended soap viscosity	100 – 3,500 cps	Water pressure work range	0.5 – 8 bars
Soap dose	0.5, 1.0, 1.5 or 2.0 ml	Water flow (at 3bar)	5.0 L/min

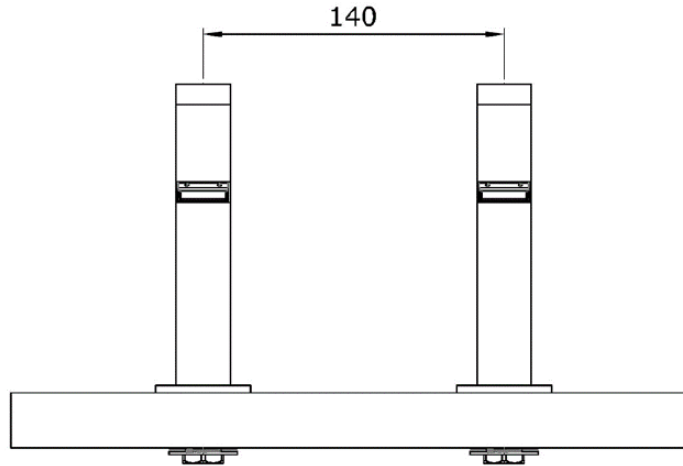
Dimensions



Dimensions: ± 4%

Mounting**Recommended heights distance from the floor**

A sink that allows the installation of the All-in-One should be used as indicated in the following figure:



Sink must have a depth of at least 120mm, with vertical walls and not excessively rounded edges to avoid splashing.

CERTIFICATES AND QUALIFICATIONS



Electromagnetic
Compatibility
Regular Production
Surveillance



(*) CB Scheme, GS and EMC marks valid only for the hand dryer.

Mediclinics, S.A., reserves the right to make changes and/or modifications to the products and their specifications without prior notice
Review 07-22

© mediclinics S.A

