

SENSOR OPERATED

Machflow Plus with brushless motor



M19A/M19A-FIL/M19A-I
White finish



M19AB/M19AB-FIL/M19AB-I
Black finish



M19AC/M19AC-FIL/M19AC-I
Bright finish



M19ACS/M19ACS-FIL/M19ACS-I
Satin finish

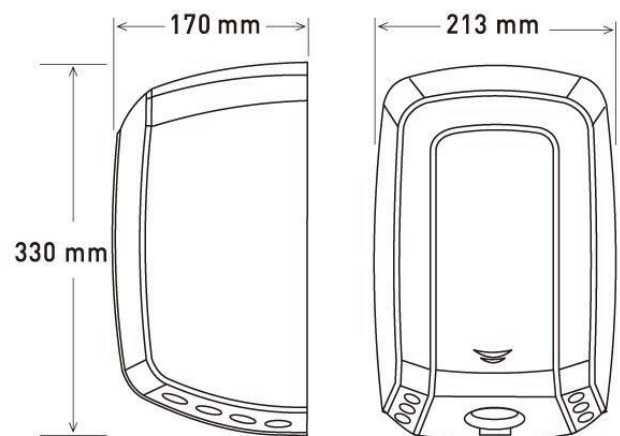
General description

- Sensor operated high-speed hand dryer with free-maintenance brushless motor, ensuring long lifespan, being ideal for an intensive usage.
- With a compact and very robust design, this hand dryer is energetically very efficient and sustainable, providing great energy savings and ultra-fast hand drying. Strongly recommended for high traffic places.
- Universal voltage – accepts 100-120 / 220-240 VAC input.
- It has an adjustable power motor that regulates energy consumption (between 250 and 1,100W) and provides a maximum air output speed of 340 km/h that dries your hands between 8 and 15 seconds.
- Machflow Plus can incorporate, optionally, a HEPA filter media that filters the solid particles in suspension (pollen, dust mites, tobacco smoke, etc.) significantly improving air quality.
- As a complement to the HEPA filter medium, and also optionally, the Machflow Plus can incorporate an ionizer ("Ion Hygienic" technology) that cleans and purifies the air through the emission of anions, eliminating most of the germs and particles transported through the air, helping it to be purer and healthier.
- Optionally, it is also possible to incorporate a quick assembly / disassembly kit for the machine ("Plug-in" kit code KTP009) that allows you to install and uninstall the hand dryer easily, quickly and safely, making maintenance much more efficient and reducing your costs at the same time.
- New air concentrator nozzle which helps to channel better the airflow on the hands. Instead of blowing air all over the hands, it focuses the airflow for a more targeted drying. The narrower opening of the concentrator gives the airflow greater pressure on exit, boosting its speed and thus, making the hand drying process much more efficient. **Only available in models with ionizer "Ion Hygienic"**.
- It has an odor neutralizer, code RCPOM14 that aromatizes and deodorizes the environment thanks to its soft fragrance (optional).
- Machflow Plus is equipped with an automatic safety disconnection system that switches it off automatically after 30 seconds of continuous use.
- It is supplied as standard with all the elements to fix it to a brick wall.
- 5-Year Guarranty

Technical Specifications

Voltage	100 - 120V / 220 - 240V
Frequency	50/60Hz
Electrical Isolation	Class I
Total power	250 – 1,100W
Consumption	1.3 – 4.8A
Motor power	900W
Rpm	17,600 – 27,600
Heating element power	200W or 0W (ON/OFF switch)
Dimensions	330x213x170 mm
Weight	5.5Kg
Cover thickness	1.5mm
Drying time	8-15sec
Effective airflow	101 - 177 m3/h (1,680 - 2,950 l/min)
Air velocity	220 – 340Km/h
Air temperature (10 cm distance/23°C)	42°C
Sound pressure (*) (at 2m)	67 – 74dBA
Protection rating	IP23

Dimensions



Dimensions: ± 4%

PLUG-IN SYSTEM

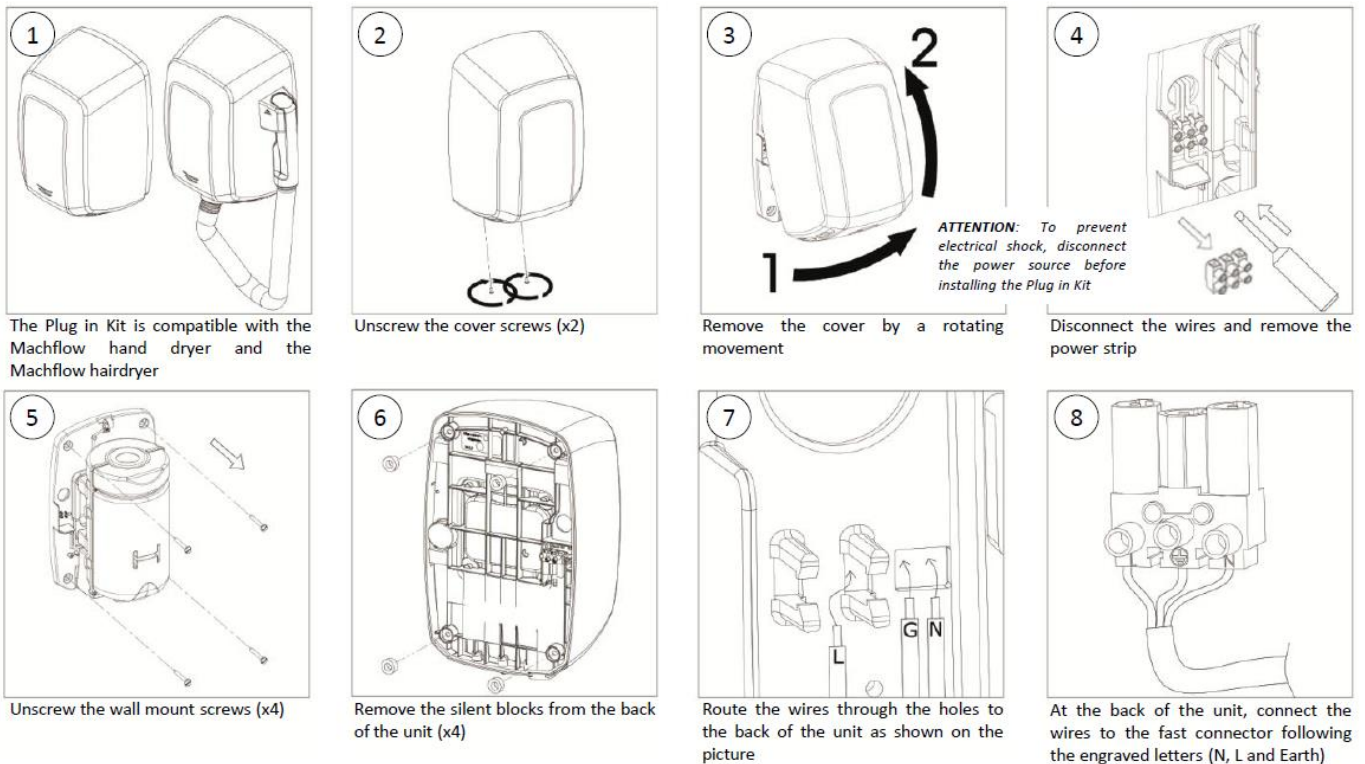
The Machflow® Plug-in technology is an easy, practical, fast and secure system to install and uninstall a hand dryer, making maintenance much more efficient and reducing at the same time its costs.

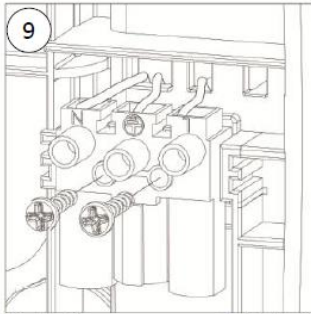


With the Machflow® Plug-in technology a hand dryer can be installed in a few steps and it can be replaced in less than 10 seconds thanks to its SMED (Single-Minute Exchange of Die) system. Furthermore its maintenance can be carried out better at the maintenance workshop and it is totally secure against electric shocks. All of these benefits allow you to reduce the maintenance costs.

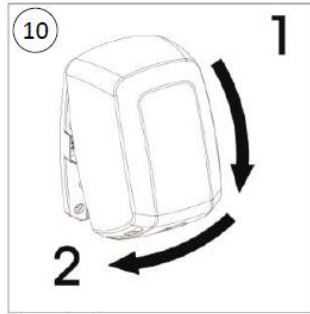
This fast install/uninstall technology to the wall **is optional** and it is carried out by means of a special kit code: KTP009.

Installation of the dryer with this system is as follows:





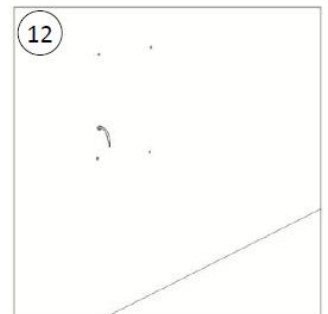
Fix the fast connector to the back of the unit using 2 screws



Close the dryer cover



Screw the cover fixing screws (x2)
Your dryer is now ready to be used on a Plug-in base



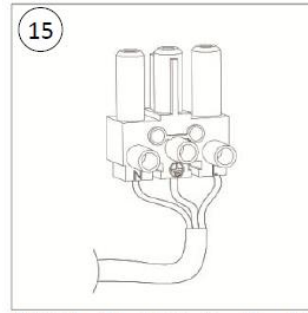
Same wall holes may be used for the Plug-in installation



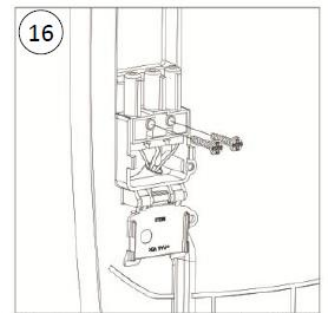
Route the wires through the Plug-in base as shown on the picture



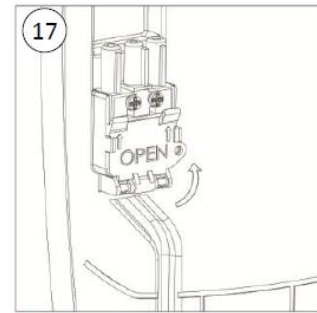
Screw the Plug-in base to the wall(x4)



Connect the wires to the fast connector following the engraved

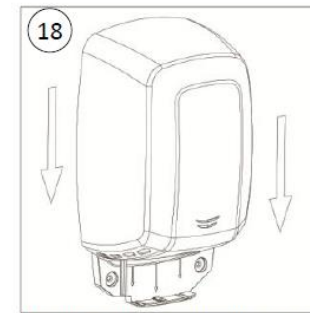


Fix the fast connector to the Plug-in base using 2 screws

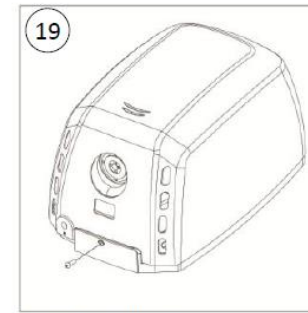


Close the security cover

Your Plug-in base is now ready to be used with a Plug-in dryer



Mount the dryer over the Plug-in base with a from top to down movement



Screw the safety screw

Your dryer is ready to be used

CERTIFICATES AND QUALIFICATIONS



Electromagnetic
Compatibility
Regular Production
Surveillance



Mediclinics, S.A., reserves the right to make changes and/or modifications to the products and their specifications without prior notice.
Review: 10-21 © mediclinics S.A.

