

TADZAVA 58-2-U/I (IN)

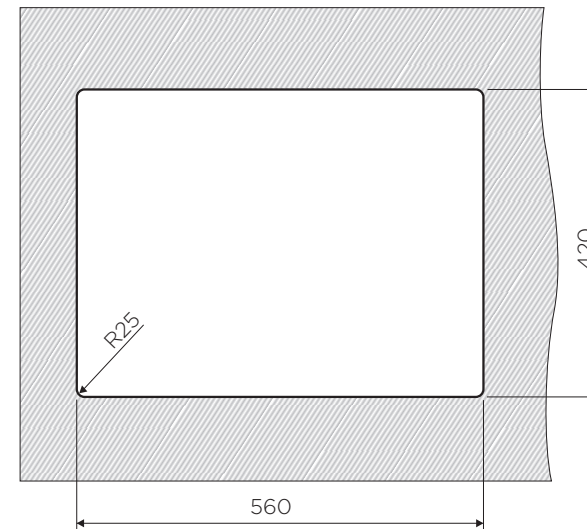
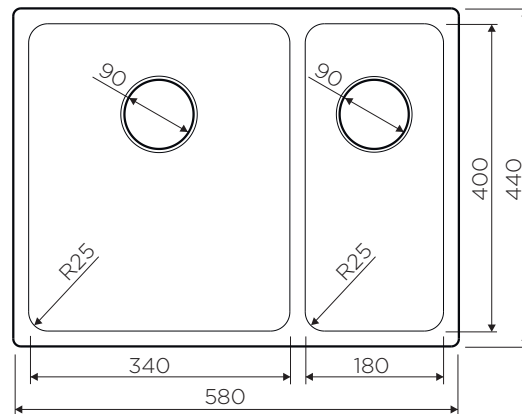
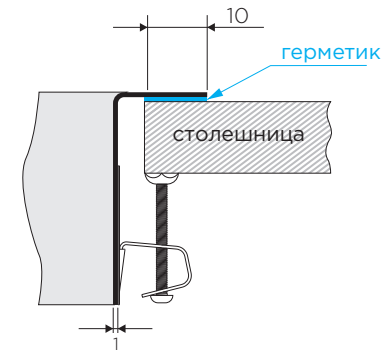
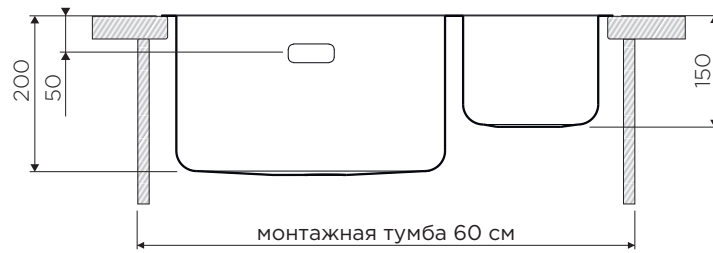
TADZAVA 58-2-U/I-IN-L 4993774

Stainless steel 304

Base 60

Weight (kilogram) 3,1

Врезной монтаж



TADZAVA 58-2-U/I (IN)

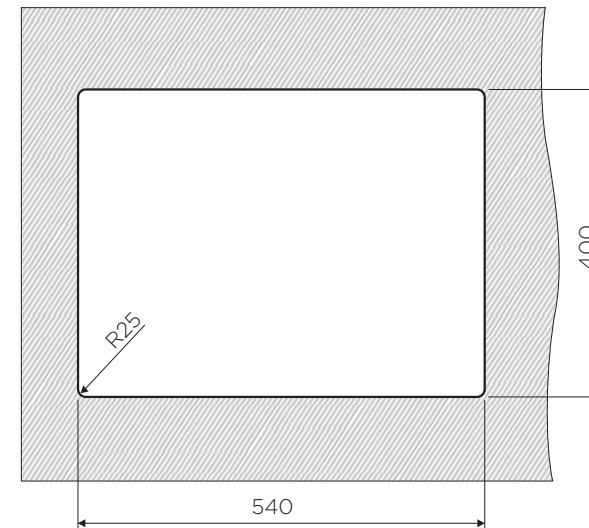
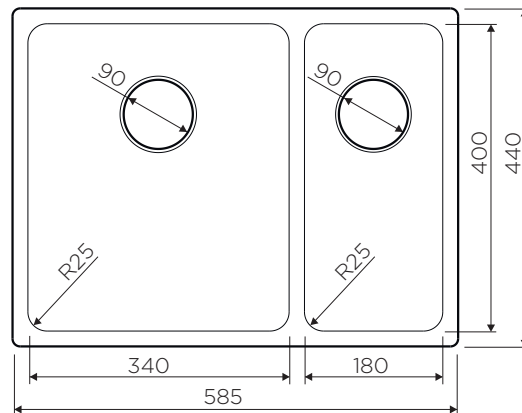
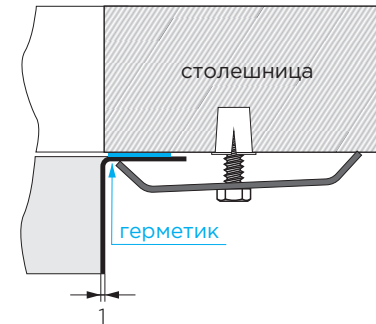
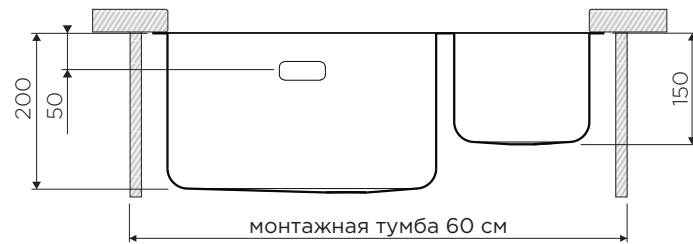
TADZAVA 58-2-U/I-IN-L 4993774

Stainless steel 304

Base 60

Weight (kilogram) 3,1

Подстольный монтаж



TADZAVA 58-2-U/I (IN)

TADZAVA 58-2-U/I-IN-L 4993774

Stainless steel 304

Base 60

Weight (kilogram) 3,1