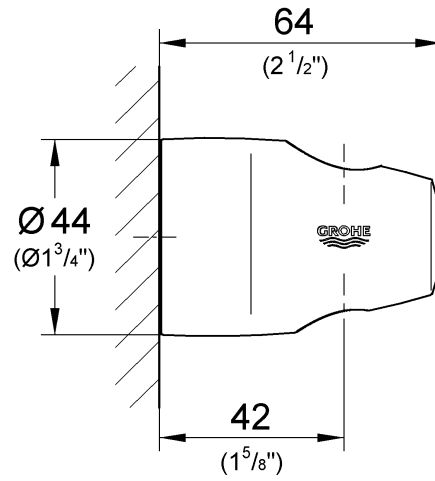


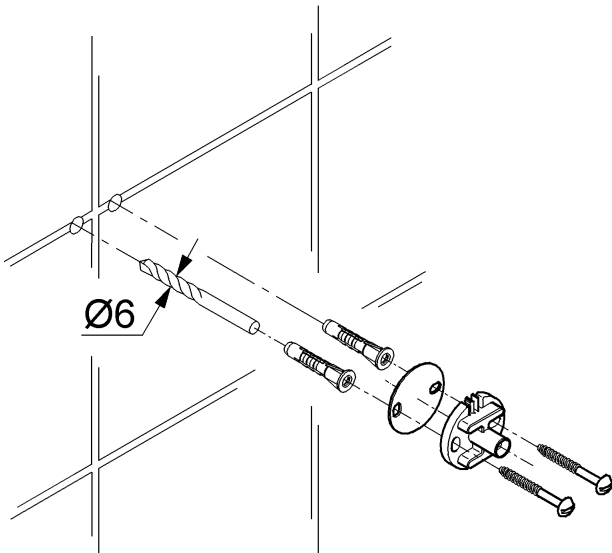


WATER TECHNOLOGY

28 403



1.



2.

